

# INVT EV AC Charger



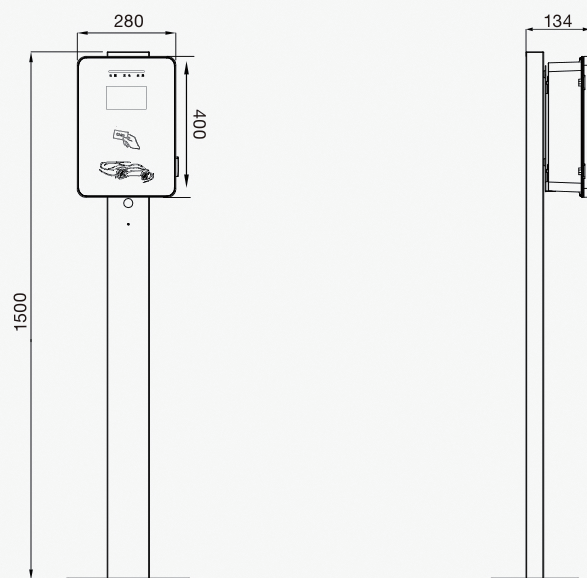
## Features

- Standard 5 inch HMI user-friendly, modern and stylish appearance design.
- IEC 62196-2, Type 2 plug.
- RFID card reader for user authentication.
- Support Ethernet, Wifi, 4G/5G, OCPP 1.6.
- Support wall-mounting and pole-mounting.
- Multiple protection function, ensure safety running.
- Intelligent operation and cost saving.



## Specification

Model	EVC16-AW7KGP1L	EVC16-AW11KGP1L	EVC16-AW22KGP1L
<b>Input &amp; Output</b>			
Input voltage	1AC 230V±10%	3AC 400V±10%	
Input frequency	50/60Hz		
Output voltage	1AC 230V±10%	3AC 400V±10%	
Max. output power	7kW	11kW	22kW
Max. output current	≤32A*1	≤16A*3	≤32A*3
Charging interface type	IEC 62196-2016 AC Type2		
Connection type	Plug		
Cable length	5m		
Number of connection	1		
<b>Protection</b>			
Over voltage protection	Yes		
Under voltage protection	Yes		
Over load protection	Yes		
Short circuit protection	Yes		
Earth leakage protection	Yes		
Over-temp protection	Yes		
Lightning protection	Yes		
<b>Function &amp; Accessory</b>			
Communication	Ethernet/WIFI/4G/5G/OCPP 1.6		
LCD	5 inch HMI		
RCD	Type A		
Supported payment	RFID/Internet		
LED indicator	Yes		
Emergency stop button	Yes		
Intelligent power adjustment	Yes		
<b>Working Environment</b>			
IP Grade	IP54		
Operating temperature	-30℃~+55℃		
Relative humidity	≤95% non-condensation		
Maximum altitude	≤2000m		
Cooling mode	Natural cooling		
Standby power loss	≤5W		
<b>Mechanical</b>			
Dimension(W/H/D)	280*400*134mm (Wall mounting)		
Weight	5Kg (Without bracket)		
<b>Others</b>			
Certification	CE		



Dimension (Pole mounting)

## Applications

### Shenzhen apartment project:

The 7kW integrated AC charger in the underground parking. It can cope with any weather and meet the charging demand of vehicles in the park due to its small size and high protection level.



### Guangming Technology Building:

The park is equipped with 22 chargers, 16 AC chargers and 6 DC chargers. The high protection level of chargers can easily cope with any weather and meet the charging demand of employees' vehicles and 14 buses in the park.



# *Charging technology creates low-carbon traffic*



Service line: 86-755-23535967 E-mail: [overseas@invt.com.cn](mailto:overseas@invt.com.cn) Website: [www.invt.com](http://www.invt.com)

**INVT ELECTRIC VEHICLE CHARGING TECHNOLOGY (SHENZHEN) CO., LTD**

INVT Guangming Technology Building, Songbai Road, Matian,  
Guangming District, Shenzhen, China

Charger products:

- OBC
- DC-DC

- AC charger
- Charging module

- CDU
- DC-AC

- Portable battery charge
- System monitoring module